

## EPIC® H-B 16 TS-RO

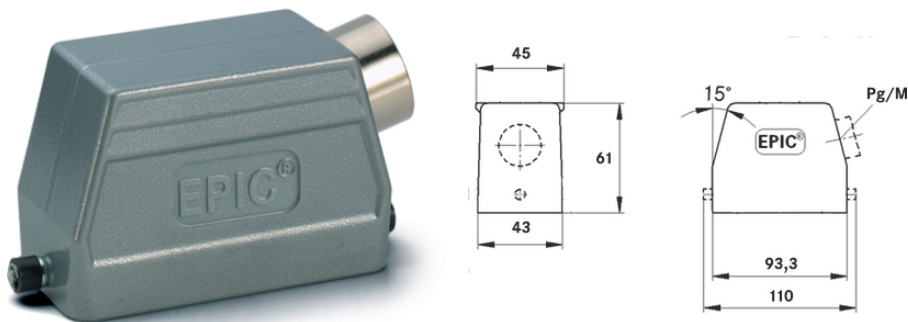
Housing design H-B. The industry standard.

The robust low housing with a neck has a side cable entry and pivots for a single lever. It is suitable for use in investment construction.

### Info

Non-slip ridges for comfortable disconnecting

Protection rating UL50E tested



Supplementary automation components from Lapp



Mechanical and plant engineering



Mechanical resistance



Robust



Waterproof

### Benefits

The housing standard. Wide choice for all applications

### Application range

Plant engineering

Light & sound technology

Plastics industry

### Product features

Last Update (27.05.2023)

©2023 Lapp Group - Technical changes reserved

Product Management [www.lappkabel.de](http://www.lappkabel.de)

You can find the current technical data in the corresponding data sheet.

PN 0456 / 02\_03.16

## EPIC® H-B 16 TS-RO

Hood, low version  
Reels for single lever  
Side cable entry  
Versions with neck

### Technical Data

Classification ETIM 5:	ETIM 5.0 Class-ID: EC000437 ETIM 5.0 Class-Description: Housing for industrial connectors
Classification ETIM 6:	ETIM 6.0 Class-ID: EC000437 ETIM 6.0 Class-Description: Housing for industrial connectors
Material:	Housing: powder-coated aluminium alloy, grey Lever: zinc-plated steel Sealing: NBR
Protection rating:	IP 65 (latched) UL50 Type 12 (latched)
VDE-tested:	Certified production control: VDE-REG. no.: B437 UL-tested: UL File Number: E75770
Temperature range:	-40°C to +100°C, short-term up to +125°C

### Note

Photographs and graphics are not to scale and do not represent detailed images of the respective products.  
Prices are net prices without VAT and surcharges. Sale to business customers only.

**EPIC® H-B 16 TS-RO**

Article number	Article description	M	PG	Neck	Pieces / PU
H-B housing: hood (side cable entry, bolts for single lever)					
10082900	H-B 16 TS-RO 21	-	21	yes	5
10092900	H-B 16 TS-RO 29	-	29	yes	5
19082900	H-B 16 TS-RO M25	25	-	yes	5
19092900	H-B 16 TS-RO M32	32	-	yes	5

Last Update (27.05.2023)

©2023 Lapp Group - Technical changes reserved

Product Management [www.lappkabel.de](http://www.lappkabel.de)

You can find the current technical data in the corresponding data sheet.  
PN 0456 / 02\_03\_16